



US00D527771S

(12) **United States Design Patent** (10) **Patent No.:** **US D527,771 S**
Iavarone et al. (45) **Date of Patent:** **** Sep. 5, 2006**

(54) **HYBRID SKATEBOARD, SCOOTER AND BICYCLE FRAME**

(75) Inventors: **John Iavarone**, Dana Point, CA (US); **George McConnell Davison, III**, Pittsburgh, PA (US); **Peter Arthur Meier**, Pittsburgh, PA (US); **Nathan Ronald Field**, Pittsburgh, PA (US)

(73) Assignee: **The Bikeboard Company, LLC**, Santa Ana, CA (US)

(**) Term: **14 Years**

(21) Appl. No.: **29/205,028**

(22) Filed: **May 7, 2004**

(51) **LOC (8) Cl.** **21-01**

(52) **U.S. Cl.** **D21/423**

(58) **Field of Classification Search** D21/419-435, D21/533, 760, 765, 771, 583; D12/107, 110-112; 280/87.01, 87.021, 87.041, 87.042, 278, 280/220, 87.05; 180/181, 216, 219, 220

See application file for complete search history.

(56) **References Cited**

U.S. PATENT DOCUMENTS

D295,428 S	4/1988	Cummings	
D295,989 S *	5/1988	Cummings D21/423
D300,756 S	4/1989	Cummings	
5,192,089 A	3/1993	Taylor	
5,470,089 A	11/1995	Whitson et al.	
5,620,189 A	4/1997	Hinderhofer	
D392,001 S *	3/1998	Chen D21/423

(Continued)

OTHER PUBLICATIONS

Sensational Beginnings cat. holiday 2001 p. 51.*

Primary Examiner—Raphael Barkai

Assistant Examiner—Randall H. Gholson

(74) *Attorney, Agent, or Firm*—Stetina Brunda Garred & Brucker

(57) **CLAIM**

We claim the ornamental design for a hybrid skateboard, scooter and bicycle frame, as shown and described.

DESCRIPTION

FIG. 1 is a front perspective view of the frame design of the present invention showing our new design;

FIG. 2 is a top view thereof;

FIG. 3 is a rear view thereof;

FIG. 4 is a right side view thereof, the left side being a mirror image;

FIG. 5 is a frontal view thereof; and

FIG. 6 is a bottom view thereof.

FIG. 7 is a top view of a second embodiment of the frame design of the present invention;

FIG. 8 is a rear view of the second embodiment shown in FIG. 7;

FIG. 9 is a right side view of the second embodiment shown in FIG. 7, the left side being a mirror image;

FIG. 10 is a frontal view of the second embodiment shown in FIG. 7; and

FIG. 11 is a bottom view of the second embodiment shown in FIG. 7.

FIG. 12 is a top view of a third embodiment of the frame design of the present invention;

FIG. 13 is a rear view of the third embodiment shown in FIG. 12;

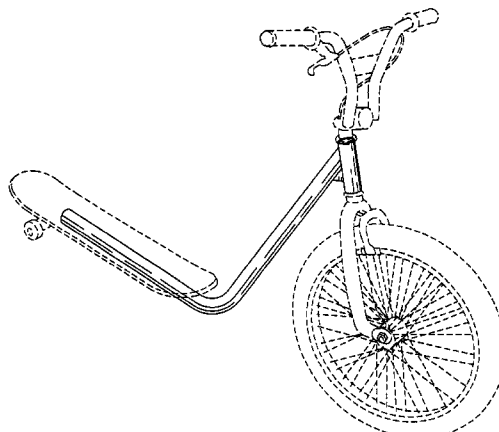
FIG. 14 is a right side view of the third embodiment shown in FIG. 12, the left side being a mirror image;

FIG. 15 is a frontal view of the third embodiment shown in FIG. 12; and,

FIG. 16 is a bottom view of the third embodiment shown in FIG. 12.

The broken lines showing the wheels, foot board, handle brake and handle bars are for illustrative purposes only and do not form part of the claimed design.

1 Claim, 4 Drawing Sheets



US D527,771 S

Page 2

U.S. PATENT DOCUMENTS

5,899,474 A	5/1999	Grutzik	D452,885 S	*	1/2002	Chen	D21/423		
5,992,864 A	11/1999	Kickson et al.	D459,762 S	*	7/2002	Chen	D21/423		
D437,363 S	*	2/2001	Chen	D21/423	D475,755 S	*	6/2003	Chen	D12/111
D444,184 S	6/2001	Kettler	D476,042 S	*	6/2003	Hsieh	D21/423		
6,250,656 B1	6/2001	Ibarra							

* cited by examiner

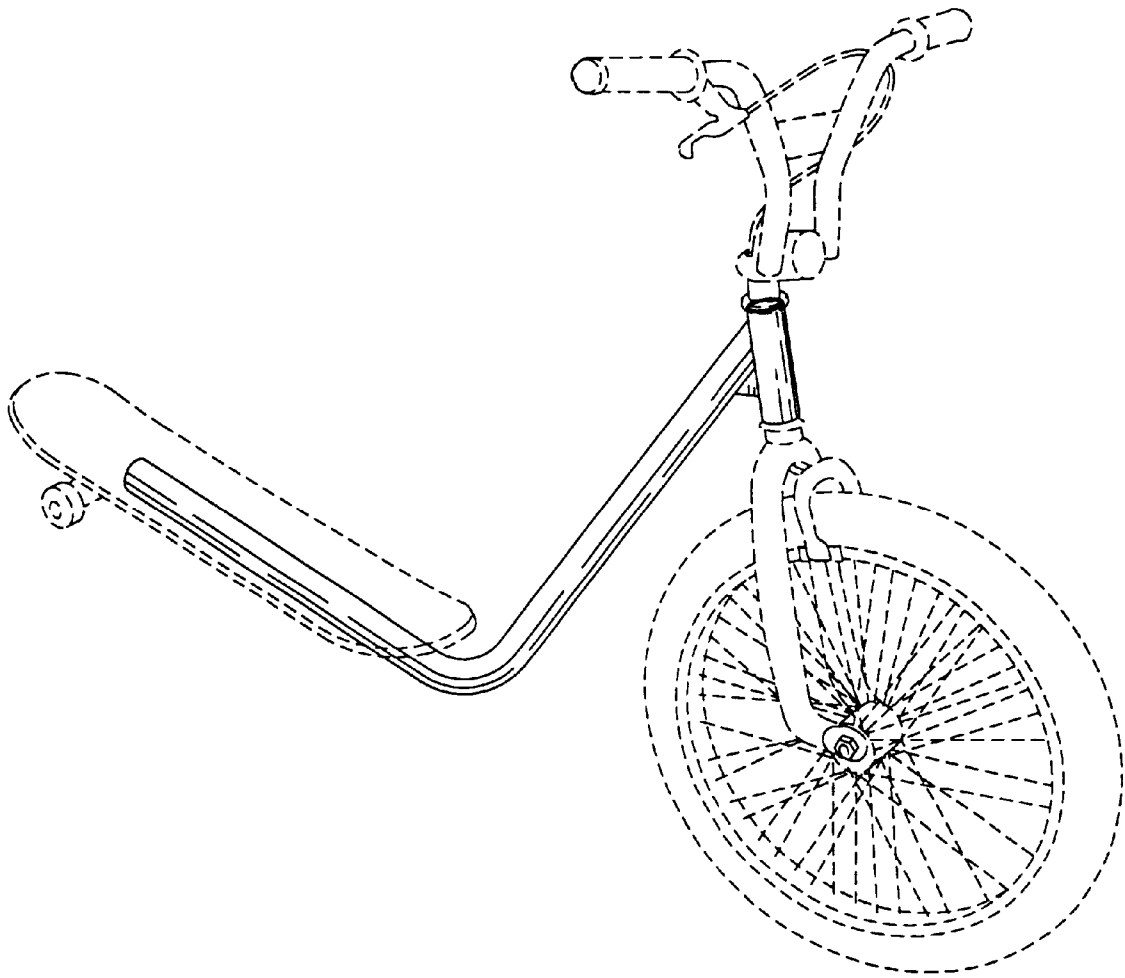


Fig. 1



Fig. 2

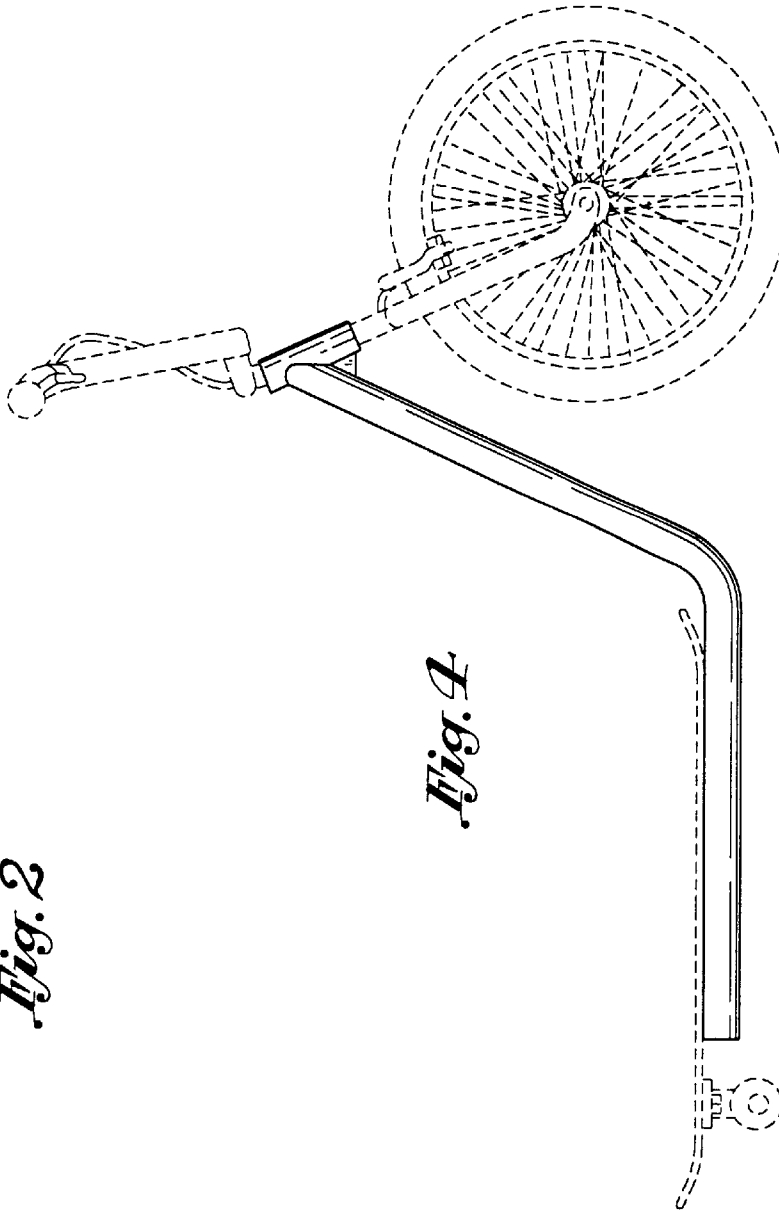


Fig. 4

Fig. 3

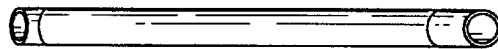


Fig. 5

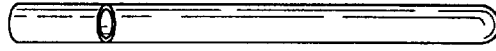


Fig. 6





Fig. 7

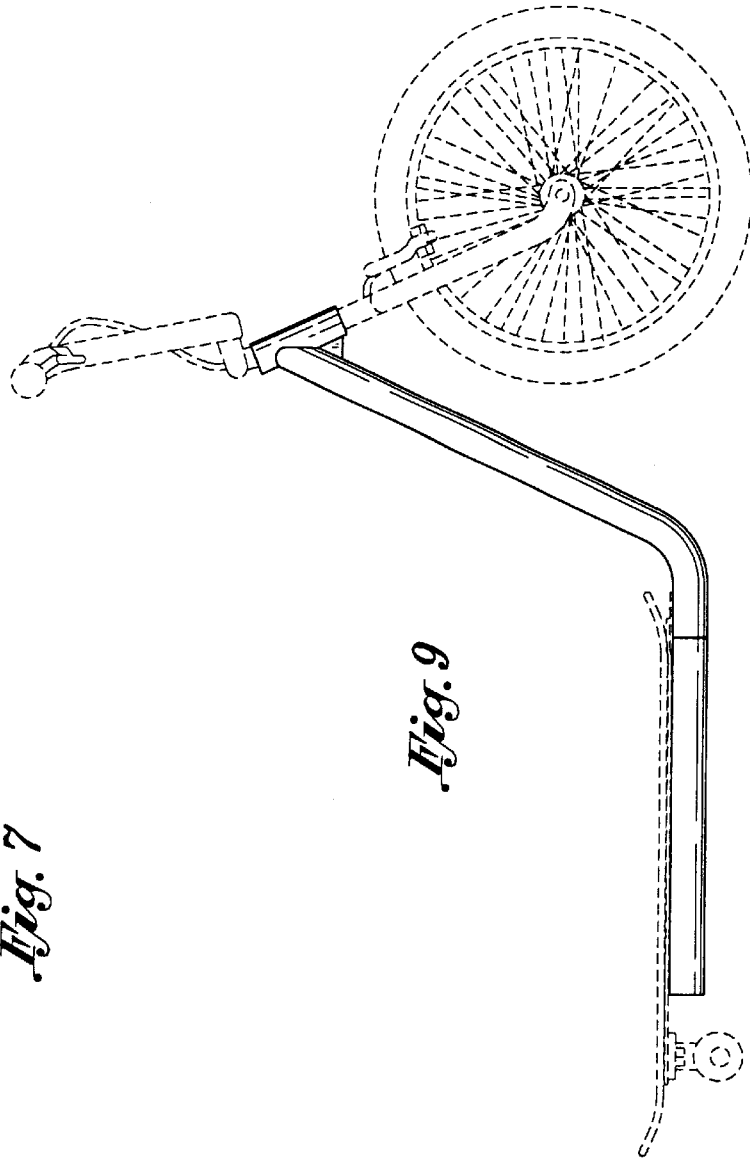


Fig. 9

Fig. 8

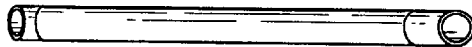


Fig. 10



Fig. 11





Fig. 12

Fig. 13

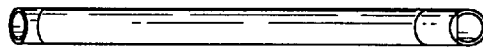


Fig. 15

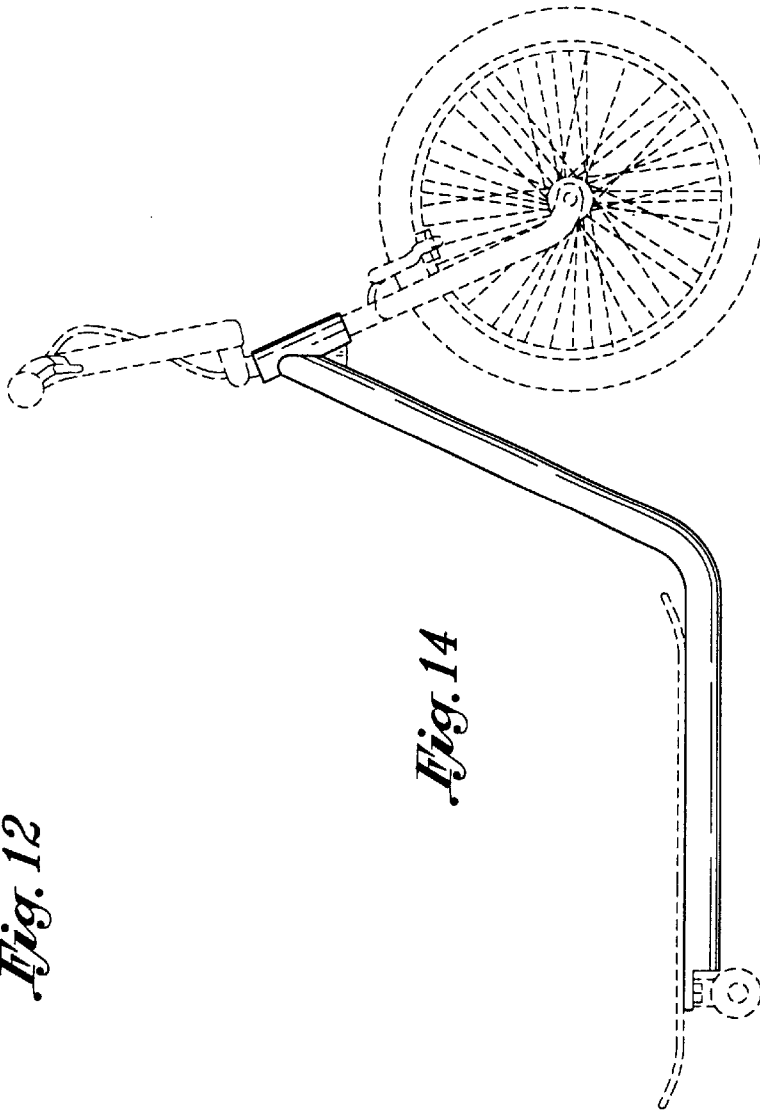
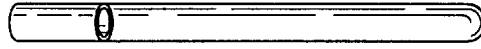


Fig. 14

Fig. 16

